



# ML Interactive Kiosk 530

## with 22" touchscreen

Kiosk can be used in variety of retail and hospitality interactive solutions such as point-of-information, customer assist and self-service solutions, promotion of cross-channel online sales in the store.

### FEATURES

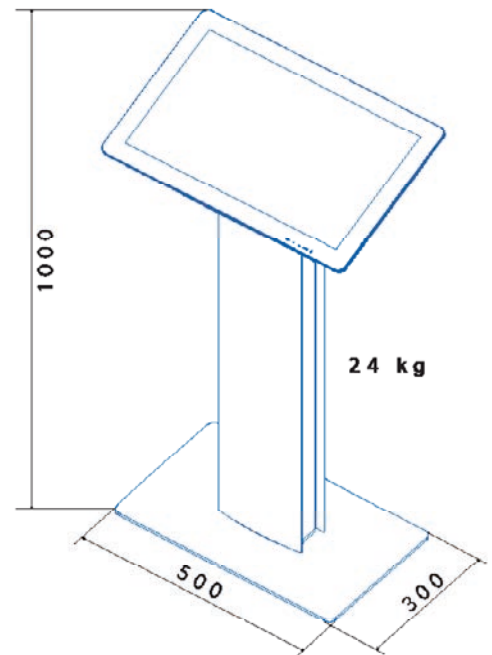
- Bright FullHD screen with 1920 x 1080 resolution
- Intuitive commercial grade 22" multitouch PCAP touchscreen
- Measures 500 x 300 x 1000, footprint 0,15 m<sup>2</sup>
- Secure lockable metal chassis
- Intel® NUC PC module with Intel® Core™ i3 and i5 Processors
- Low power consumption (less than 100W)
- Special kiosk software Sitekiosk and virtual keyboard





## OPTIONAL FEATURES

- **Branding.** Lot of options to meet your brand style design – custom colours, custom labelling with optional details.
- **Desing by order.** Custom design available even for one unit, integration of different additional devices.
- **Computer.** Intel® NUC computer module ensures smooth and fast user experience for detail rich graphics. PC can be configured to meet performance requirements set by application used.
- **Connectivity.** Various wireless network options (WiFi, LTE) with vandal proof external antenna to bring kiosk online.
- **Kiosk software.** Sitekiosk software for operating and maintaining public access kiosks with virtual on-screen keyboard.
- **Kiosk monitoring.** Siteremote running in Cloud (SaaS) or on own server (license) for remote administration and maintenance of kiosk systems and digital signage displays
- **Security.** The housing is suited for unattended self-service. Housing can be anchored to floor and is securely lockable with key.
- **Optional devices.** This model can be equipped with RFID, 2D/3D, scanner, speakers, printer, smart card reader, transportation box or other devices at request.



## ABOUT US

We are in kiosk production from 1999. Our production and product development process is certified to meet ISO 9001:2015 requirements. We are proud to design our kiosks in-house keeping in mind both aesthetic and functionality.

